

# XpressChef®

Project #: \_\_\_\_\_

Item #: \_\_\_\_\_



## High Speed Combination Oven XpressChef® 2c Series

### Combines cooking energies for superior baking results **FAST!**

- 2700W Convection enhances toasting and browning
- 95°– 250°C (200°– 475°F) temperature range
- 1000, 1400, or 1900W top antenna feed microwave system heats quickly, reduces cooking time
- Flexible cooking platform. Use any combination of convection and microwave

### Simplifies cooking

- **Ventless Options:** "V" models feature built-in catalytic converter for ventless operation
- Stackable without a kit, to increase throughput and save valuable counter space
- 34 liter (1.2 cubic ft.) oven capacity easily accommodates a 30cm (12") pizza

### Multi-language universal operation, with programming flexibility

- Oven interface and programming software support 20 languages
- Smart USB connectivity standard
- Compatible with ACP Programming Application
- Stores up to 100 programmable menu items

### Cuts Costs

- Uses less energy than a conventional oven
- Eliminates need for pre-cooking and holding
- Uses quarter-size metal trays, pans and screens

### Easy to Use and Maintain

- Stainless steel exterior and interior
- Door opens 90°+ for full access to the oven cavity

### Optional Accessories

- Oven paddle (PA10)
- Magnetic air filter (AF10)
- Panini grill plate (JR10)
- Pizza Stone (ST10C)
- Drip Tray/Griddle (DR10)
- Non-stick baskets (TB10/S, SB10/S, MB10/S)
- Non-stick cavity liners (TL12)
- Oven floor liner (OV10)
- Stainless cart/equipment stands: (CA24, CA30)
- Oven Cleaner & Shield (CL10\*, SH10\*)
- Replacement oven rack (RA14)

### Service

All products are backed by the ACP, Inc.  
24/7 ComServ Support Center



### Warranty

Warranty Certificate for this product can be found on the ACP, Inc. website at [www.acpsolutions.com/warranty](http://www.acpsolutions.com/warranty)



### Safety and Sanitation

This ACP, Inc. product meets and exceeds safety and sanitation standards set for commercial microwave ovens by UL, ETL, NSF, CSA, FDA., CE, and National Institute of Metrology, Quality and Technology (INMETRO).



## Market Regions: North & South America

**XpressChef® 2c Series | Heavy Volume**  
This category of high speed oven is ideal for...

### Applications

- Cafés
- Bakeries
- Wine bars
- Pubs
- Supermarkets
- Convenience stores
- Country clubs
- Kiosks

### Throughput potential by oven wattage (Qty/hour)

Food item	1000W	1400W	1900W
Lava Cake	16	36	36
Chicken Pot Pie	14	15	19
Biscuits (6)	14	14	14
Scones	12	16	18
Baked Brie	13	14	16
Artichoke Dip	23	25	27
30cm (12") Pizza	10	12	15
Large Baked Potato	8	9	11

### Location of Oven(s)

- Kitchen shelf
- Kitchen counter top, single or stacked
- Equipment stand, single or stacked

All ACP, Inc. commercial ovens are supported by our Culinary Center. Do not hesitate to contact us for any questions regarding food preparation, menu development and cooking times: [testkitchen@acpsolutions.com](mailto:testkitchen@acpsolutions.com)



For other market regions, please see product literature online

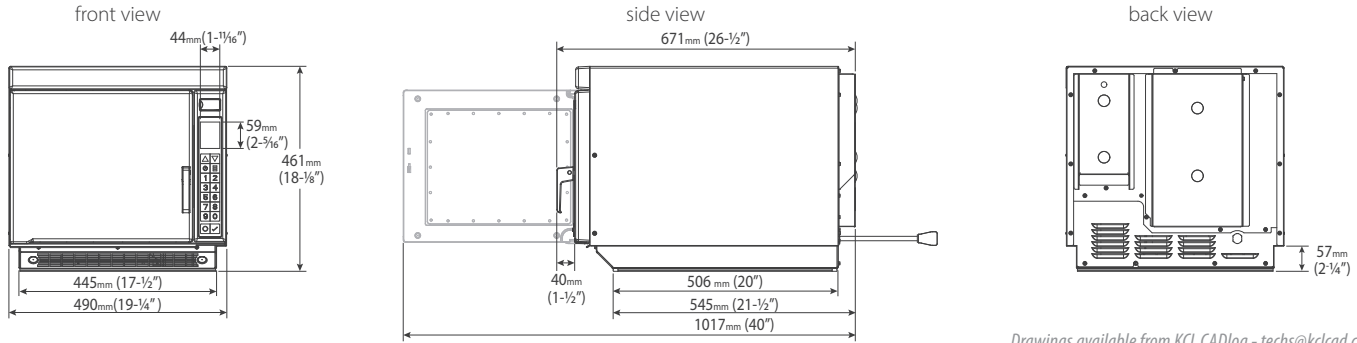
\*Only shipped in U.S.A.



© 2020 ACP, Inc.  
Cedar Rapids, Iowa 52404

# XpressChef® 2c Series | High Speed Combination Oven

North & South America



Drawings available from KCL CADlog - techs@kclcad.com

## Dimensions

<b>Exterior</b>	H 461 (18 1/8")	W 490 (19 1/4")	D† 671 (26 1/2")
<b>Cavity</b>	H 267 (10 1/2")	W 330 (13")	D 381 (15")
<b>Usable Cavity Space</b>	34 liter (1.2 cubic ft.)		
<b>Door Depth</b>	1017 (40"), 90°+ door open		
<b>Installation Clearance</b>	Top: 102 (4")	Sides: 25 (1")	Back: None
<b>Shipping Carton</b>	H 546 (21 1/2")	W 540 (21 1/4")	D 756 (29 3/4")
<b>Weight</b>			
<b>Model Type</b>	<b>Product Weight</b>	<b>Ship weight (approx.)</b>	
With catalytic converter	51 kg. (112 lbs)	53 kg. (116 lbs)	
Without catalytic converter	50 kg. (111 lbs)	52 kg. (115 lbs)	

## Features

<b>Configuration</b>	Countertop
<b>Stackable</b>	Yes, without kit
<b>Display</b>	71 (2.8") Color LCD
<b>USB Port</b>	Yes
<b>Internet Connectivity</b>	No
<b>Control System</b>	Touchpad
<b>Programmable Control</b>	Yes, 10 pads
<b>Braille</b>	Overlay available
<b>Settings Programmable</b>	100
<b>Temperature Range</b>	95°– 250°C (200°– 475°F)
<b>Microwave Distribution</b>	Rotating antennas, top
<b>Power Levels</b>	11
<b>Defrost</b>	Yes, microwave only, power level 2
<b>Time Entry Option</b>	Yes
<b>Stage Cooking</b>	Yes, 4 stages
<b>Air Filter</b>	Non-removable with cleaning reminder**
<b>Rack</b>	2 positions, 1 removable rack
<b>Door Handle</b>	Lift & Pull
<b>Exterior Finish</b>	Stainless steel
<b>Interior Finish</b>	Stainless steel

ACP, Inc. requires installing a type D circuit breaker for all high-speed oven installations.

Measurements are millimeters. Measurements in ( ) are US Standard

\* IEC 60705 Tested

\*\* Removable magnetic air filter accessory available (#AF10)

† Includes handle

‡ Catalytic convertor filters grease and odors from the air. This product conforms to the Ventless Operation Recommendations set forth by NFPA96 using EPA202 test method

## Electrical Configuration

Region	Model#/ UPC	Auto. Voltage Sensor	Max. Cooking Time	Catalytic Converter	Power Consumption	Power Output		Power Source	Plug Configuration	Cord Length	Frequency	Magnetron
						Microwave*	Convection					
North America single phase	<b>JET14</b> 728028244656	Yes	20:00	No	3200W, 16A	1400W*	2700W	208/240V, 60Hz, 20A, single phase	NEMA 6-20	1.5m (5 ft.)	2450MHz	2
North America single phase	<b>JET14V</b> 728028244687	Yes	20:00	Yes‡	3200W, 16A	1400W*	2700W	208/240V, 60Hz, 20A, single phase	NEMA 6-20	1.5m (5 ft.)	2450MHz	2
North America single phase	<b>JET19</b> 728028244694	Yes	16:00	No	5300W, 26A	1900W*	2700W	208/240V, 60Hz, 30A, single phase	NEMA 6-30	1.5m (5 ft.)	2450MHz	2
North America single phase	<b>JET19V</b> 728028244700	Yes	16:00	Yes‡	5300W, 26A	1900W*	2700W	208/240V, 60Hz, 30A, single phase	NEMA 6-30	1.5m (5 ft.)	2450MHz	2
Latin America single phase	<b>JET10</b> 728028470598	No	20:00	No	3200W, 15A	1000W*	2700W	220V, 60Hz, 15A, single phase	NEMA 5-15P	1.5m (5 ft.)	2450MHz	1
Latin America single phase	<b>JET10V</b> 728028470604	No	20:00	Yes‡	3200W, 15A	1000W*	2700W	220V, 60Hz, 15A, single phase	NEMA 5-15P	1.5m (5 ft.)	2450MHz	1
Brazil single phase	<b>JET14B</b> 728028377002	No	20:00	No	3200W, 15A	1400W*	2700W	220V, 60Hz, 15A, single phase	TYPE YP-05 NBR 14136	1.5m (5 ft.)	2450MHz	2
Peru single phase	<b>JET14P</b> 728028422986	No	20:00	No	3200W, 15A	1400W*	2700W	220V, 60Hz, 15A, single phase	NEMA 5-15P	1.5m (5 ft.)	2450MHz	2

Specification #:

AIA File #:



225 49th Ave. Dr. SW, Cedar Rapids, IA 52404 U.S.A.  
800-233-2366 • 319-368-8120 • Fax: 319-368-8198  
www.acpsolutions.com

Part No. 20271501

Updated 12/16/2019

© 2020 ACP, Inc., Cedar Rapids, Iowa 52404

