

Amana® Commercial

Project #: _____

Item #: _____



Medium & Heavy Volume Amana® Commercial RFS Series

Power Output

- 1200-2100 Watts of power
- Five power levels for consistent, delicious results for frozen, refrigerated and fresh foods - from the freezer to table in minutes.

Easy to Use

- Up to 100 programmable menu items simplifies cooking and ensures consistent results.
- Four stage cooking option with one-touch programming. Reduces prep time, labor and food waste while providing consistent results.
- Multiple quantity pad calculates the proper cooking times for multiple portions.
- User friendly touch controls are easy to use.
- Time entry option for added flexibility.
- Digital display with countdown timer for simple operation and "at-a-glance" monitoring.
- Braille touch pads.
- See-through door and lighted interior for monitoring without opening the door.
- 1.2 cubic ft. (34 Liter) capacity accommodates a 14" (356 mm) platter, prepackaged foods and single servings.
- Stackable to save valuable counter space.

Easy to Maintain

- Stainless steel exterior and interior for easy cleaning and a professional look.
- Removable air filter protects oven components.
- Constructed to withstand the foodservice environment.
- ETL Listed.

Optional Accessories

- Cavity shelf (SE10)
- Stainless cart/equipment stands: (CA24, CA30)
- Non-stick baskets (NB10, TB10/S, SB10/S, MB10/S)
- Oven Cleaner and Shield Protectant (CL10*, SH10*)

Service

All products are backed by the ACP, Inc.
24/7 ComServ Support Center



Warranty

Warranty Certificate for this product can be found on the ACP, Inc. website at www.acpsolutions.com/warranty



Safety and Sanitation

This ACP, Inc. product meets and exceeds safety and sanitation standards set for commercial microwave ovens by UL, ETL, NSF, CSA, and FDA



Restaurant Line | Medium & Heavy Volume This category of microwave oven is ideal for...

Applications

- Fast casual restaurants
- Pubs
- Prep stations
- Family restaurants

Through put potential by oven wattage (items per hour)

Food item	1200W	1800W	2100W
Mac 'n cheese (pre-cooked) (2lbs (907g))	15	21	25
Steamed Shrimp (1lb (454g))	21	29*	34*
Baked potato (10oz (283g))	18	21	26
Fresh Asparagus (8oz (227g))	21	28*	33*
Chicken Noodle Soup (16oz (480ml))	19	28	33
Cinnamon Roll (pre-baked) (6oz (171g))	120	144	164

*For best steaming results, use 1800-2100W

All ACP, Inc. commercial ovens are supported by our Culinary Center. Do not hesitate to contact us for any questions regarding food preparation, menu development and cooking times: testkitchen@acpsolutions.com



*Only shipped in U.S.A.



225 49th Ave. Dr. SW Cedar Rapids, IA 52404 U.S.A.

800-233-2366

319-368-8120

Fax: 319-368-8198

© 2020 ACP, Inc.
Cedar Rapids, Iowa 52404

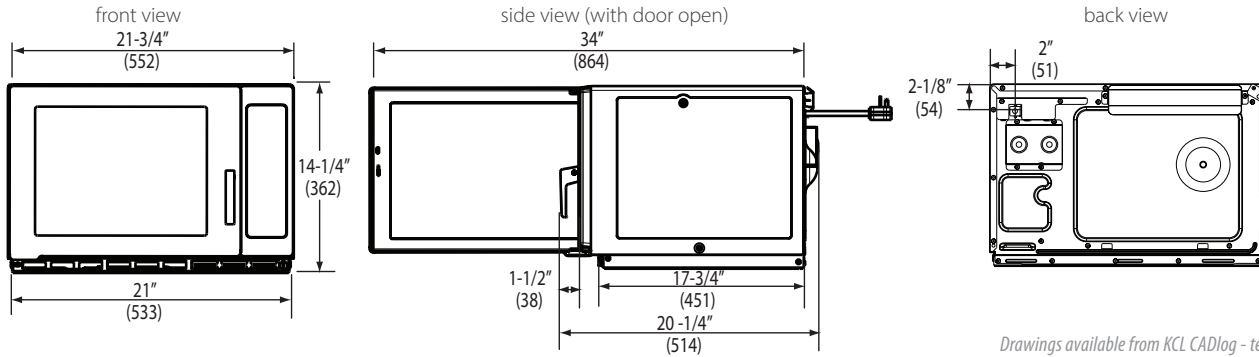
www.acpsolutions.com

Amana is a trademark of Maytag Properties, LLC or its related companies. Manufactured under license by ACP, Inc. Limited warranty provided by manufacturer. © 2020 ACP, Inc.

AIA File #:

Specification #:

Amana® Commercial Microwave RFS Series | Medium & Heavy Volume



Drawings available from KCL CADlog - techs@kclcad.com

Dimensions

Exterior	H 14 3/8" (365)	W 21 3/4" (551)	D† 21" (533)
Cavity	H 8 7/8" (226)	W 14 1/8" (359)	D 16 1/4" (413)
Usable Cavity Space	1.2 cubic ft. (34 liter)		
Door Depth	34" (864), 90°+ door open		
Installation Clearance	Top: 2" (51)	Sides: 1" (25)	Back: None
Shipping Carton	H 18 1/2" (467)	W 26 1/8" (663)	D 22 7/8" (581)

Weight

Model Type	Product Weight	Ship weight (approx.)	UPS Shippable
1200W	66 lbs (30 kg)	71 lbs (32 kg)	Yes
1800W or 2100W	70 lbs (32 kg)	77 lbs (35 kg)	Yes

Measurements are US Standard. Measurements in () are in millimeters

* IEC 60705 Tested

† Includes handle

Features

Configuration	Countertop
Stackable	Yes
Display	LED
USB Port	No
Control System	Touchpad
Programmable Control	Yes, 10 pads
Braille	Yes
Settings Programmable	100
Max. Cooking Time	60:00
Microwave Distribution	Rotating antennas, top & bottom
Power Levels	5
Defrost	Yes
Time Entry Option	Yes
Multiple Portion Setting	Yes, X2
Stage Cooking	Yes, 4 stages
Interior Light	Yes
Automatic Voltage Sensor	Yes (North America only >1200W)
Air Filter	Yes, 1 removable with cleaning reminder
Signal	End of cycle, adjustable
Door Handle	Lift & Pull
Exterior Finish	Stainless steel
Interior Finish	Stainless steel

Electrical Configuration

Region	Model#/UPC	Automatic Voltage Sensor	Power Consumption	Power Output (microwave)	Power Source	Plug Configuration	Cord Length	Frequency	Magnetron
North America single phase	RFS12TS 728028020878	No	2000 W, 16A	1200W*	120V, 60Hz, 20A, single phase	NEMA 5-20	5 ft. (1.5m)	2450MHz	2
North America single phase	RFS18TS 728028020885	Yes	2800 W, 13.5A	1800W*	208/240V, 60Hz, 20A, single phase	NEMA 6-20	5 ft. (1.5m)	2450MHz	2
North America single phase	RFS21TS 728028471250	Yes	3200 W, 15.5A	2100W*	208/240V, 60Hz, 20A, single phase	NEMA 6-20	5 ft. (1.5m)	2450MHz	2

Specification #:

AIA File #:



225 49th Ave. Dr. SW, Cedar Rapids, IA 52404 U.S.A.
800-233-2366 • 319-368-8120 • Fax: 319-368-8198
www.acpsolutions.com

Part No. 20155301

Updated 12/2/2020

© 2020 ACP, Inc., Cedar Rapids, Iowa 52404

an Ali Group Company



The Spirit of Excellence