



## Heavy Volume Amana® Commercial OnCue™ Series

### Power Output

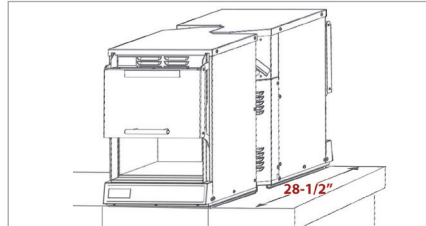
- 2400 Watts of power.
- Top and bottom magnetrons.

### Increased Productivity

- Short cook times for single serving applications, up to 42% faster.
- Increased throughput by door automatically opening when cooking cycle is complete and remaining open until ready to cook.
- Closing door and pushing control pad is one operator motion.
- Door design does not interfere with kitchen flow.
- Small, "jigsaw" shaped footprint allows for back-to-back placement on a 28 1/2" (724 mm) shelf using only 13 5/8" (346 mm) of space.

### Easy to Use and Maintain

- Control panel located on bottom for convenient access and angled for easy viewing.
- Plug and play operation.
- Door extends out for easy cleaning.
- Stainless steel exterior and interior for easy cleaning and increased durability.
- Constructed to withstand the foodservice environment.



Two units fit back-to-back on a 28 1/2" (724 mm) shelf in a 13 5/8" (346 mm) space



### Specialty Chef Line | Heavy Volume This category of microwave oven is ideal for...

#### Applications

- Quick service restaurants
- Fast Casual Restaurants
- Prep stations
- Casual dining
- Food courts

#### Through put potential

- Melts cheese on burgers in 8 seconds
- Heats spinach dip from frozen in 90 seconds
- Heats macaroni & cheese from frozen in 70 seconds

#### Location of oven(s)

- Kitchen shelf, single or back to back
- Kitchen counter, single or back to back

#### Defrost

- Defrosts most frozen food products

All ACP, Inc. commercial ovens are supported by our Culinary Center. Do not hesitate to contact us for any questions regarding food preparation, menu development and cooking times:  
[testkitchen@acpsolutions.com](mailto:testkitchen@acpsolutions.com)



### Optional Accessories

- Non-stick baskets (SB10/S, MB10/S)
- Oven Cleaner and Shield Protectant (CL10\*, SH10\*)
- Rail and Shelf Kit (RK10)

### Service

All products are backed by the ACP, Inc.  
24/7 ComServ Support Center



### Warranty

Warranty Certificate for this product can be found on the ACP, Inc. website at [www.acpsolutions.com/warranty](http://www.acpsolutions.com/warranty)

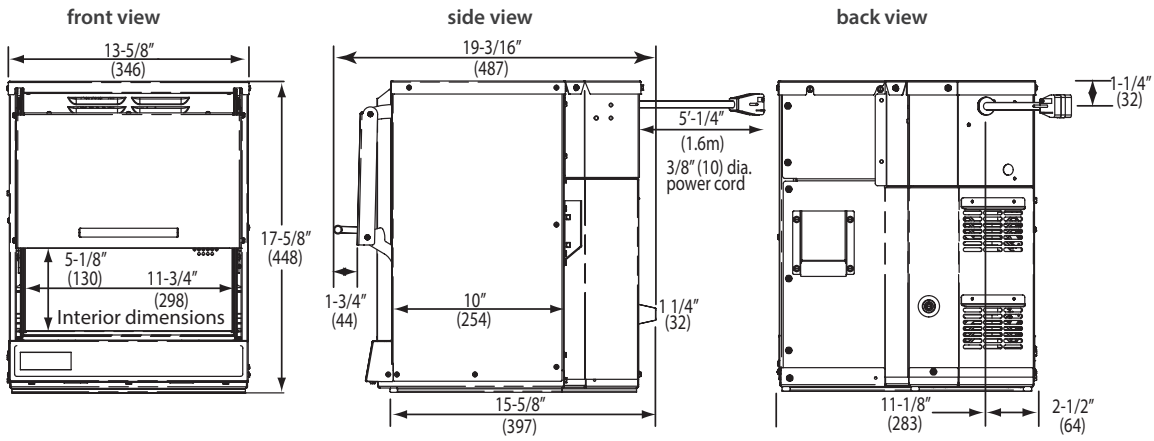


### Safety and Sanitation

This ACP, Inc. product meets and exceeds safety and sanitation standards set for commercial microwave ovens by UL, ETL, NSF, CSA, and FDA



# Amana® Commercial Microwave OnCue™ Series | Heavy Volume



Drawings available from KCL CADlog - techs@kclcad.com

## Dimensions

<b>Exterior</b>	H 17 5/8" (448)	W 13 5/8" (346)	D† 19 3/16" (487)
<b>Cavity</b>	H 5 1/8" (130)	W 11 3/4" (298)	D 8 1/2" (216)
<b>Usable Cavity Space</b>	.3 cubic ft. (8.4 liter)		
<b>Door Depth</b>	N/A - vertical pop-up		
<b>Installation Clearance</b>	Top: 2" (51)	Sides: 1" (25)	Back: None
<b>Shipping Carton</b>	H 20 5/8" (524)	W 17" (432)	D 22" (559)
<b>Weight</b>			
<b>Product Weight</b>	<b>Ship weight (approx.)</b>	<b>UPS Shippable</b>	
70 lbs (32 kg)	73 lbs (33 kg)	Yes, ISTA 3A approved small parcel	

Measurements are US Standard. Measurements in ( ) are in millimeters


\* IEC 60705 Tested

† Includes handle

## Features

<b>Configuration</b>	Countertop or Overshelf
<b>Stackable</b>	Yes
<b>Display</b>	LED
<b>USB Port</b>	No
<b>Control System</b>	Touchpad
<b>Programmable Control</b>	Yes, 10 pads
<b>Braille</b>	Overlay available
<b>Settings Programmable</b>	100
<b>Max. Cooking Time</b>	10:00
<b>Microwave Distribution</b>	Rotating antennas, top and bottom
<b>Power Levels</b>	11
<b>Defrost</b>	Yes, power level 2
<b>Time Entry Option</b>	Yes
<b>Multiple Portion Setting</b>	N/A
<b>Stage Cooking</b>	4 stages
<b>Interior Light</b>	No
<b>Air Filter</b>	Yes
<b>Signal</b>	Door automatically opens at end of cycle
<b>Door Opening</b>	Automatic opening
<b>Exterior Finish</b>	Stainless steel
<b>Interior Finish</b>	Stainless steel

## Electrical Configuration

Region	Model#/UPC	Automatic Voltage Sensor	Power Consumption	Power Output (microwave)	Power Source	Plug Configuration	Cord Length	Frequency	Magnetron
North America single phase	<b>AOC24</b> 728028020847	Yes	3100W	2400W*	208/240V, 60Hz, 20A, single phase	NEMA 6-20P 	5' 1/4" (1.5m)	2450MHz	2

Specification #:

AIA File #:



225 49th Ave. Dr. SW, Cedar Rapids, IA 52404 U.S.A.  
800-233-2366 • 319-368-8120 • Fax: 319-368-8198  
www.acpsolutions.com

Part No. 20271401

Updated 12/1/2022

© 2022 ACP, Inc., Cedar Rapids, Iowa 52404

