



## Microwave Powered Steamer Ovens

### Amana® Commercial AMSO Series

#### Power Output

- 2200-3500 Watts of power
- Unique method of microwave energy distribution provides superior even heating throughout the entire cavity

#### On-demand steaming and batch cooking

- Fast cooking retains food quality and nutrition
- Waterless steaming—no plumbing, delimiting, or ventilation required
- Ample 1.6 cubic ft. (45 liter) cavity accommodates two standard 4" (102mm) deep full size pans

#### Programming flexibility

- Smart USB connectivity standard
- Compatible with ACP Programming Application
- Stores up to 100 programmable menu items

#### Easy to Use

- Controls are user friendly and require minimal training
- 11 power levels and 4 cooking stages for cooking flexibility
- Multiple quantity function automatically calculates cooking times for multiple portions
- Automatic Voltage Sensor adjusts to the power supply
- See-through door and lighted interior for monitoring without opening the door
- Stackable to save valuable counter space

#### Easy to Maintain

- Stainless steel exterior and interior for easy cleaning and increased durability
- Magnetic front air filters for easy removal and cleaning
- Clean filter reminder to protect oven components.
- Constructed to withstand the foodservice environment
- Interior borosilicate tray is sealed and recessed to reduce plate-to-shelf edge impact and keep spills contained
- Removable borosilicate shelf is easy to clean

#### Optional Accessories

- Non-stick baskets (TB10/S, SB10/S, MB10S, NB10)
- Oven Cleaner and Shield Protectant (CL10\*, SH10\*)

#### Service

All products are backed by the ACP, Inc.  
24/7 ComServ Support Center

#### Warranty

Warranty Certificate for this product can be found on the ACP, Inc. website at [www.acpsolutions.com/warranty](http://www.acpsolutions.com/warranty)

#### Safety and Sanitation

This ACP, Inc. product meets and exceeds safety and sanitation standards set for commercial microwave ovens by UL, ETL, NSF, CSA, and FDA



866-811-8559



### Microwave Powered Steamer Ovens This category of microwave oven is ideal for...

#### Applications

- Schools
- Healthcare facilities
- Buffets
- Cafeterias
- Stadiums
- Casual and fine dining
- Seafood restaurants
- Country clubs
- Quick service restaurants
- Supermarkets

#### Through put potential by oven wattage (items per hour)

Food item	2200W	3500W
Baby Red Potatoes (10lbs (4.5kg))	3	5
Frozen Vegetables (8lbs (3.5kg))	4	6
Lobster Tails (6 tails)	30	40
Poached Cod (8 filets)	8	10
Shrimp (2lbs (1kg))	18	24

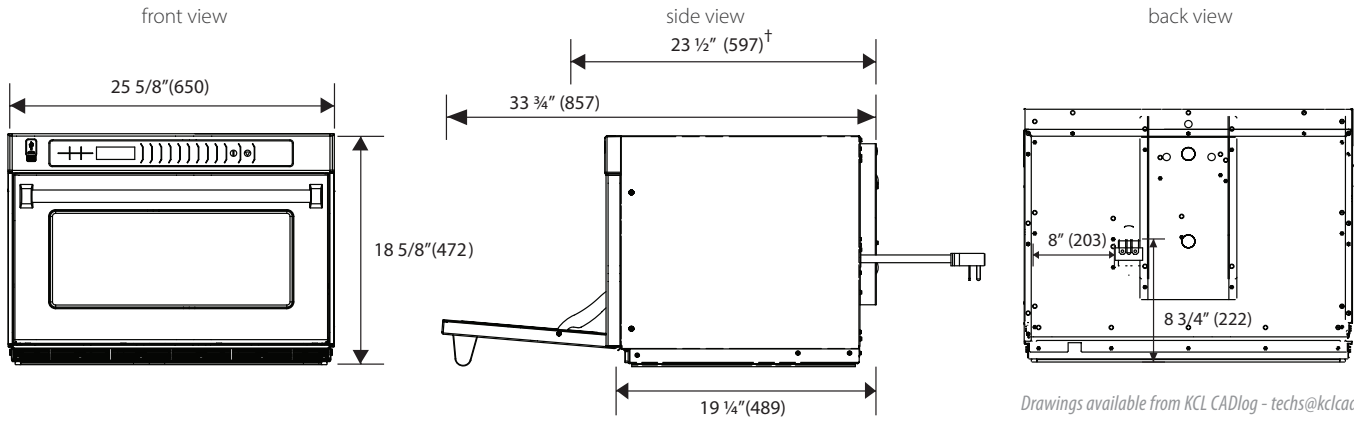
All ACP, Inc. commercial ovens are supported by our Culinary Center. Do not hesitate to contact us for any questions regarding food preparation, menu development and cooking times: [testkitchen@acpsolutions.com](mailto:testkitchen@acpsolutions.com)



\*Only shipped in U.S.A.



# Amana® Commercial AMSO Series | Microwave Powered Steamer Ovens



Drawings available from KCL CADlog - techs@kclcad.com

Dimensions			
Exterior	H 18 5/8" (472)	W 25 5/8" (650)	D† 23 1/2" (597)
Cavity	H 9 7/8" (251)	W 21" (535)	D 13" (330)
Usable Cavity Space	1.6 cubic ft. (45 liter)		
Door Depth	33 3/4" (857), drop down door		
Installation Clearance	Top: 7" (178)	Sides: 1" (25)	Back: None
Shipping Carton	H 22 1/4" (565)	W 30 1/4" (768)	D 26 1/4" (667)
Weight			
Product Weight	Ship weight (approx.)	UPS Shippable	
146 lb. (66 kg)	161 lbs. (73 kg)	No	

Features	
Configuration	Countertop
Stackable	Yes
Display	LCD
USB Port	Yes
Control System	Touchpad
Programmable Control	Yes, 10 pads
Braille	No
Settings Programmable	100, with optional A/B menu
Max. Cooking Time	60:00
Microwave Distribution	Top and bottom antennas
Power Levels	11
Defrost	Yes, power level 2
Time Entry Option	Yes
Dial Time Entry	Yes
Multiple Portion Setting	Yes, X2
Stage Cooking	4 stages
Interior Light	Yes, LED
Automatic Voltage Sensor	Yes
Air Filter	Yes, 2 removable with cleaning reminder
Signal	End of cycle, adjustable
Door Opening	Pull down
Door Construction	Glass Window
Latch Number	2
Exterior Finish	Stainless steel
Interior Finish	Stainless steel with recessed borosilicate tray
Interior Shelf	1 shelf position; 1 removable borosilicate shelf

Electrical Configuration									
Region	Model#/UPC	Power Consumption	Power Output (microwave)	Power Source	Plug Configuration	Cord Length	Frequency	Magnetron	
North America single phase	AMSO22 728028376784	3500 W	2200W*	208/240V, 60Hz, 20A, single phase	NEMA 6-20P	5 ft. (1.5m)	2450MHz	4	
North America single phase	AMSO35 728028376791	5100 W	3500W*	208/240V, 60Hz, 30A, single phase	NEMA 6-30P	5 ft. (1.5m)	2450MHz	4	

225 49th Ave. Dr. SW, Cedar Rapids, IA 52404 U.S.A.  
 800-233-2366 • 319-368-8120 • Fax: 319-368-8198  
 www.acpsolutions.com

Part No. 20271801  
 Updated 2/20/2023  
 © 2023 ACP, Inc., Cedar Rapids, Iowa 52404



Specification #:

AIA File #: